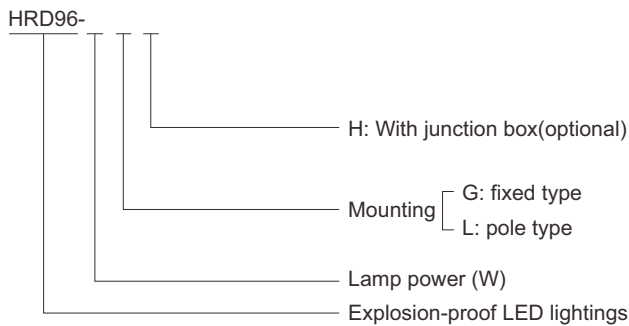


LED Light Fittings HRD96 Series Explosion-proof LED Lightings



Explosion protection to
 -CENELEC
 -IEC
 -NEC
 Can be used in
 Zone 1 and Zone 2
 Zone 21 and Zone 22
 Class I, Zone 1 and Zone 2
 Class I, Division 1, Groups A, B, C, D
 Three enclosure type: 30, 60, 120
 Applicable lamp and power (max.120W)
 LED : 30W, 60W, 120W
 Isolated LED lamp compartment and terminal compartment;
 Wind-convection heat dissipation structure
 Low-maintenance due to long service life is up to 100,000
 operating hours.

Catalogue number logic



Selection table

Type / Ordering code	Lamp power(W)	Weight (kg)	Type / Ordering code	Lamp power(W)	Weight (kg)
HRD96-30G	30	2.50	HRD96-30L	30	2.00
HRD96-60G	60	3.70	HRD96-60L	60	3.20
HRD96-120G	120	5.50	HRD96-120L	120	5.00

Note: 1. Products above include all the mounting accessories listed in Mounting Accessories & Spare Parts Table (see P2/71).
 2. The product is supplied according to "Type/Ordering code" in the table with mounting accessories.

Zones 1&2; 21&22

LED Light Fittings

HRD96 Series Explosion-proof LED Lightings

Technical data

Explosion-proof LED lightings HRD96- -

Explosion protection

Global (IECEX)	IECEX (applied for)
Gas and dust	Ex db IIC T6 Gb Ex tb IIIC T80 Db
Europe (ATEX)	ATEX (applied for)
Gas and dust	⊕ II 2 G Ex db IIC T6 Gb ⊕ II 2 D Ex tb IIIC T80 Db

Certificates

IECEX; ATEX

Conformity to standards

EN 60079-0, EN 60079-1, EN 60079-28, EN 60079-31
IEC 60079-0, IEC 60079-1, IEC 60079-28, IEC 60079-31

Material

Enclosure	Copper-free Aluminium Alloy, powder coated surface, yellow (RAL1021)
Transparent cover	Toughened glass, stands 4J impact
Exposed fastener	Stainless steel

Lamp

Lamp specification	LED module, Multiple LED
Lamp power (W)	30W, 60W, 120W
Colour rendering index (Ra)	80
Colour temperature (CCT)	5700K

Note: cool white is available in general. Warm white or nature white is optional, please specify when ordering.

Rated voltage

220~240V AC 50/60Hz

Earthing protection

M5 (internal & external earth bolts)

Degree of protection

IP66

Ambient temperature

-40 ~+55

Terminal

3 x 1.5~4mm² (L+N+PE)

Mounting

fixed type, pole type

Cable entries

M25 x 1.5

Cable gland

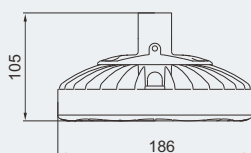
See Mounting Accessories & Spare Parts Table

Available cable outer diameter

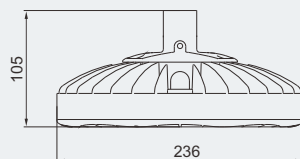
10~ 14(mm)



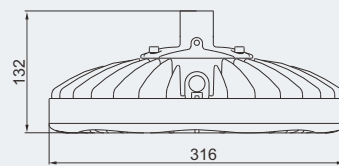
Dimension drawings (all dimensions in mm) - subject to alteration



HRD96-30



HRD96-60



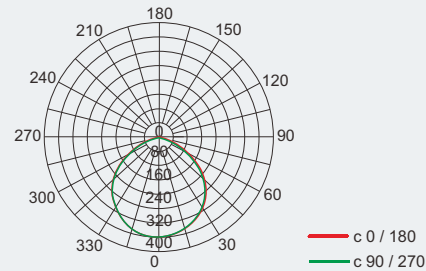
HRD96-120

LED Light Fittings HRD96 Series Explosion-proof LED Lightings

Photometric data Note: LED luminous flux is from the standard product of which colour temperature is 5700K (cool white).

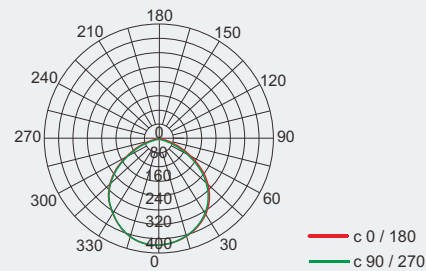
HRD96-30

Lamp power (W)	Luminous flux	Wattage
30	3150lm	30W



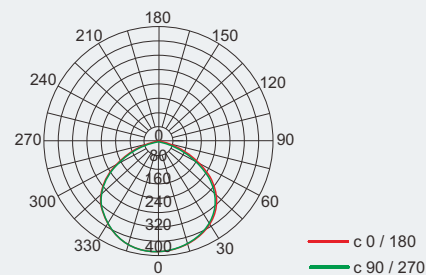
HRD96-60

Lamp power (W)	Luminous flux	Wattage
60	6360lm	60W



HRD96-120

Lamp power (W)	Luminous flux	Wattage
120	12300lm	121W

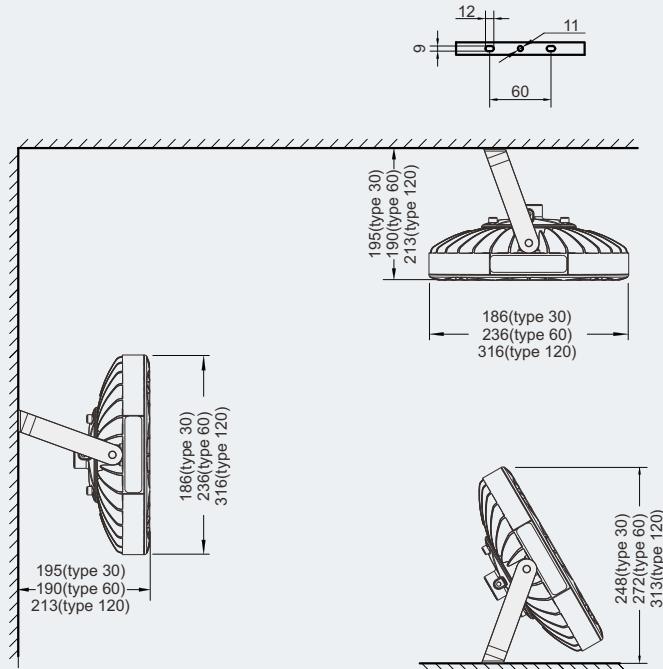


We can provide lighting design and data by professional lighting software DIALUX based upon simulated site situation on request.

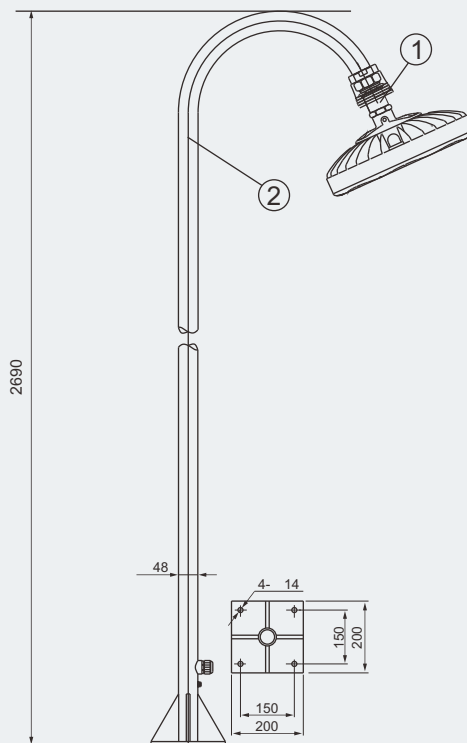
LED Light Fittings HRD96 Series Explosion-proof LED Lightings

Mounting type (all dimensions in mm) - subject to alteration

G: fixed type



L: pole type



Weight: 2.00kg (type 30)
3.20kg (type 60)
5.00kg (type 120)

Accessories supplied with the light fittings:

- .BGJ-III Explosion-proof connector M25×1.5(M)/M25×1.5(F), Stainless steel.
- .Pole (shall be provided by user)

