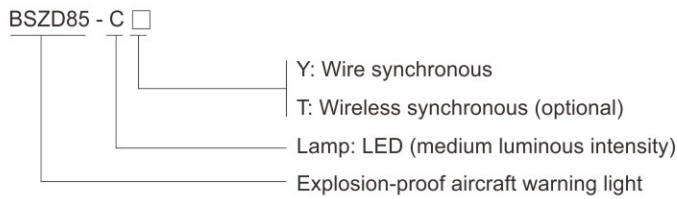


## Local, Caution Spotlight Fittings BSZD85-C Series Explosion-proof Medium Intensity Aircraft Warning Light



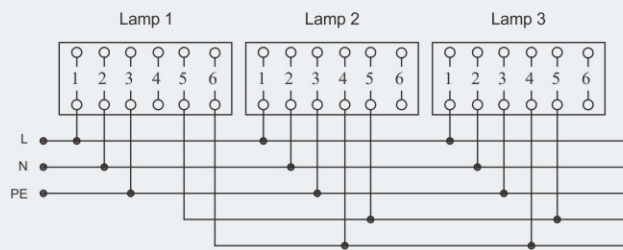
- ◆ Explosion protection to
  - CENELEC
  - IEC
  - NEC
- ◆ Can be used in
  - Zone 1 and Zone 2
  - Zone 21 and Zone 22
  - Class I, Zone 1 and Zone 2
  - Class I, Division 2, Groups A, B, C, D
- ◆ Ultra-bright LED lamp, low consumption and long service life up to 30,000 hours, integrated chip control with various circuit protection.
- ◆ Synchronous flashing of light fittings through signal lines.
- ◆ Enclosure in Copper-free Aluminium Alloy, powder coated surface, yellow (RAL1021).

### Catalogue number logic

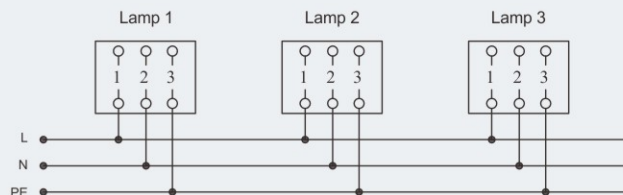


### Wired sync connection diagram

Y: Wire synchronous



T: Wireless synchronous (optional)



# Zones 1&2; 21&22

## Local, Caution Spotlight Fittings

### BSZD85-C Series Explosion-proof Medium Intensity Aircraft Warning Light

#### Technical data

#### Explosion-proof medium intensity aircraft warning light BSZD85-C □

##### Explosion protection

Global (IECEX)  
Gas and dust

IECEX (applied for)  
Ex db eb ib IIC T6 Gb  
Ex tb IIIC T80°C Db

Europe (ATEX)  
Gas and dust

ATEX (applied for)  
Ⓔ II 2 G Ex db eb ib IIC T6 Gb  
Ⓔ II 2 D Ex tb IIIC T80°C Db

##### Certificates

IECEX; ATEX

##### Conformity to standards

EN 60079-0, EN 60079-1, EN 60079-7, EN 60079-11, EN 60079-31  
IEC 60079-0, IEC 60079-1, IEC 60079-7, IEC 60079-11, IEC 60079-31  
International Civil Aviation Organization Certification: ICAO  
International Civil Aviation Organization (ICAO)

##### Certificates

##### Conformity to standard

##### Verification number

104416588CRT-001TVOC

##### Optical requirements

horizontal beam spread 360°, normal beam spread  $\geq 3^\circ$ ;  
when the angle of elevation is between  $-1^\circ$ ~ $2^\circ$  or  $0^\circ$ ,  
the light intensity  $2500\text{cd} \geq I \geq 1500\text{cd}$ , other angles  $2500\text{cd} \geq I \geq 750\text{cd}$ .

##### Material

Enclosure  
Transparent cover  
Exposed fastener

Copper-free Aluminium Alloy, powder coated surface, yellow (RAL1021)  
Toughened glass, stands 4J impact  
Stainless steel

##### Rated voltage

100~277V AC/DC, 12~48V AC/DC

##### Lamp

Lamp specification  
Lamp power (W)

LED  
 $< 40\text{W}$  (continuous work)

##### Lamp colour

Red

##### Max. luminous intensity value

$> 2000\text{cd}$

##### Flash frequency

20~60 (times/min)

##### Earthing protection

M5 (internal & external earth bolts)

##### Degree of protection

IP66

##### Ambient temperature

$-40^\circ\text{C} \sim +53^\circ\text{C}$

##### Terminal

$3 \times 1.5 \sim 2.5\text{mm}^2$  (L+N+PE)

##### Cable entries

$4 \times \text{M}25 \times 1.5$  plugs

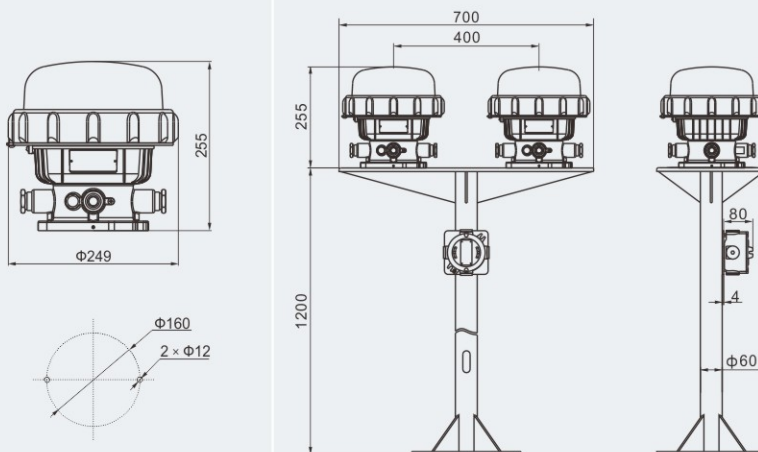
##### Cable gland (optional)

BPT

##### Weight

6.0kg

#### Dimension drawings (all dimensions in mm) - subject to alteration



Drawings of main (spare) caution spotlight fittings

Note: The light fitting consists of two completely independent photoelectric control systems which can control the main and spare lamps respectively. Generally, the main lamp is used for night lighting, and it will be shut down automatically during the day. If the main lamp is damaged, the spare lamp will be started automatically to be substituted for main lamp.

