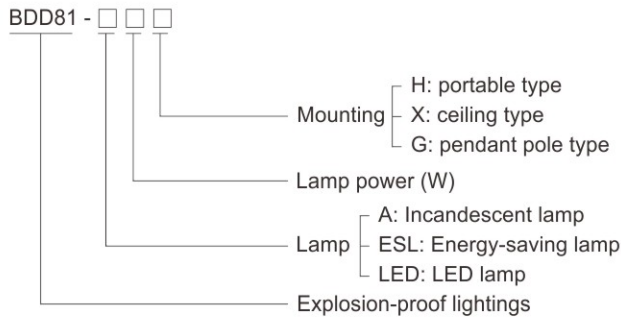


## Pendant Light Fittings BDD81 Series Explosion-proof Lightings



- ◆ Explosion protection to
  - CENELEC
  - IEC
  - NEC
- ◆ Can be used in
  - Zone 1 and Zone 2
  - Zone 21 and Zone 22
  - Class I, Zone 1 and Zone 2
  - Class I, Division 1, Groups A, B, C, D
- ◆ Available lamp and power :
  - Incandescent lamp: 25W, 40W, 60W, 100W
  - Energy-saving lamp: 9W, 11W
  - LED lamp: 3W, 5W, 8W
- ◆ Enclosure in Copper-free Aluminium Alloy, powder coated surface, yellow (RAL1021).
- ◆ The light fittings are supplied without lamp. PHILIPS lamps are recommended.

### Catalogue number logic



### Mounting type (all dimensions in mm) – subject to alteration

#### Installation reference

	H: portable type	X: ceiling type	G: pendant pole type
<p>100W Incandescent lamp</p> <p>11W Energy-saving lamp</p> <p>8W LED</p>	<p><b>Weight:</b> 2.70kg  <b>Accessories supplied with the light fittings:</b>                      ①. Hook                      ②. 4 x M25 x 1.5 Plug; Ex d cable gland (optional); DQM-II (Ex d) or DQM-III (Ex d) is recommended. Please see P7/20-29.</p>	<p><b>Weight:</b> 2.50kg  <b>Accessories supplied with the light fittings:</b>                      ②. 4 x M25 x 1.5 Plug; Ex d cable gland (optional); DQM-II (Ex d) or DQM-III (Ex d) is recommended. Please see P7/20-29.</p>	<p><b>Weight:</b> 4.50kg  <b>Accessories supplied with the light fittings:</b>                      ③. BGJ-III explosion-proof connector M25 x 1.5(M)/M25 x 1.5(F), Stainless steel.                      ④. Straight pipe(M25 x 1.5), length: 300mm.                      ⑤. BHD51-F (Ex d IIC, Copper-free Aluminium Alloy), see P3/4.</p>

# Zones 1&2; 21&22

## Pendant Light Fittings BDD81 Series Explosion-proof Lightings

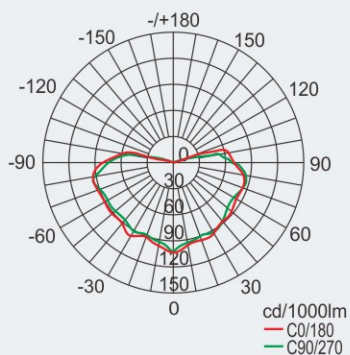
Technical data	
<b>Explosion-proof lightings</b>	<b>BDD81-□□□</b>
<b>Explosion protection</b>	
Global (IECEX)	IECEX CQM 12.0036X
Gas and dust	Ex d IIC T4 Gb Ex t IIIC T130°C Db IP66
Europe (ATEX)	LCIE 11 ATEX 3110X
Gas and dust	⊕ II 2 G Ex d IIC T4 Gb ⊕ II 2 D Ex t IIIC T130°C Db IP66
<b>Certificates</b>	IECEX; ATEX; CU-TR
<b>Conformity to standards</b>	EN 60079-0, EN 60079-1, EN 60079-31 IEC 60079-0, IEC 60079-1, IEC 60079-31
<b>Material</b>	
Enclosure	Copper-free Aluminium Alloy, powder coated surface, yellow (RAL1021)
Transparent cover	Toughened glass, stands 4J impact
Wire guard	Stainless steel
Exposed fastener	Stainless steel
<b>Lamp</b>	
Lamp holder	E27
Available lamp and lamp power (W)	Incandescent lamp: 25W, 40W, 60W, 100W Energy-saving lamp: 9W, 11W (for sealed atmosphere) LED: 3W, 5W, 8W
<b>Rated voltage</b>	220~240V AC 50/60Hz
<b>Earthing protection</b>	M5 (internal & external earth bolts)
<b>Degree of protection</b>	IP66
<b>Ambient temperature</b>	-40°C~+55°C
<b>Terminal</b>	3 x 1.5~4mm <sup>2</sup> (L+N+PE)
<b>Mounting</b>	Portable type, ceiling type, pendant pole type
<b>Cable entries</b>	4 x M25 x 1.5 for ceiling type and portable type, 1 x M25 x 1.5 for pendant pole type
<b>Cable gland (optional)</b>	DQM-II (Ex d) or DQM-III (Ex d) is recommended. Please see P7/20~29.
<b>Applicable cable outer diameter</b>	Φ10~Φ14 (mm)



### Photometric data Note: LED luminous flux is from the standard product of which colour temperature is 5400 to 6500K (cool white).

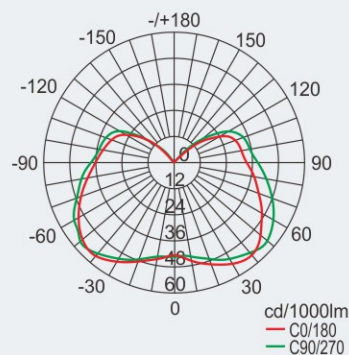
#### BDD81-A□□

Rated luminous flux  
25W Incandescent lamp: 201lm  
40W Incandescent lamp: 318lm  
60W Incandescent lamp: 500lm  
100W Incandescent lamp: 1025lm  
The data from Philips lamp



#### BDD81-ESL□□

Rated luminous flux  
9W Energy-saving lamp: 400 lm  
11W Energy-saving lamp: 570 lm  
The data from Philips lamp



#### BDD81-LED□□

Rated luminous flux  
3W LED: 255lm  
5W LED: 425lm  
8W LED: 680lm

