

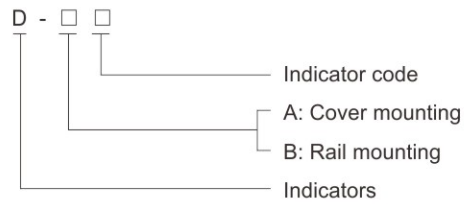
Components for BZC8050 Control Stations BD8050 Series Indicators



- ◆ Explosion protection to
 - CENELEC
 - IEC
 - NEC
- ◆ Can be used in
 - Zone 1 and Zone 2
 - Zone 21 and Zone 22
 - Class I, Zone 1 and Zone 2
 - Class I, Division 2, Groups A , B, C, D
- ◆ Available in
 - red
 - green
 - yellow
 - blue
 - white
- ◆ Two mounting types
 - cover mounting
 - rail mounting

■ Catalogue number logic

BD8050(D for short)



Zones 1&2; 21&22

Components for BZC8050 Control Stations BD8050 Series Indicators

Selection table

Version	Voltage	Schematic diagram	Colour	Code	Ordering code	Weight (kg)
 A: Cover mounting	Rated voltage: AC 230V...AC 415V Voltage range: -10%...+6% Frequency: 50Hz...60Hz		Red	Ra	40099A/40099B	0.05
			Green	Ga	40100A/40100B	
			Yellow	Ya	40101A/40101B	
			Blue	Ba	40166A/40166B	
			White	Wa	40102A/40102B	
	Rated voltage: AC/DC 48V...110V Voltage range: -10%...+6% Frequency: 0Hz...60Hz		Red	Rb	40103A/40103B	0.05
			Green	Gb	40104A/40104B	
			Yellow	Yb	40105A/40105B	
			Blue	Bb	40167A/40167B	
	Rated voltage: AC/DC 12V...36V Voltage range: -10%...+6% Frequency: 0Hz...60Hz		Red	Rc	40107A/40107B	0.05
			Green	Gc	40108A/40108B	
			Yellow	Yc	40109A/40109B	
Blue			Bc	40168A/40168B		
 B: Rail mounting	Rated voltage: DC 220V, 380V Voltage range: -10%...+6%		Red	Rd	40111A/40111B	0.05
			Green	Gd	40112A/40113B	
			Yellow	Yd	40113A/40113B	
			Blue	Bd	40169A/40169B	
			White	Wd	40114A/40114B	
 A: Cover mounting			Red	a	40115A	0.05
			Green	b	40116A	
			Yellow	c	40117A	
			White	d	40118A	
			Blue	e	40170A	
 B: Rail mounting			Red	a	40115B	0.05
			Green	b	40116B	
			Yellow	c	40117B	
			White	d	40118B	
			Blue	e	40170B	



Components for BZC8050 Control Stations BD8050 Series Indicators

Technical data

Indicators **BD8050**

Explosion protection

Global (IECEX)

Gas

Europe (ATEX)

Gas

Certificates

Conformity to standards

Rated voltage

Rated current

Frequency

Rated output wattage

Service life

Ambient temperature

Colour

Lamp

Enclosure material

Terminal

Indicator cover material

IECEX CQM 11.0012U

Ex d e IIC Gb

LCIE 09 ATEX 3098U

⊕ II 2 G Ex d e IIC Gb

IECEX; ATEX; CU-TR

EN 60079-0, EN 60079-1, EN 60079-7

IEC 60079-0, IEC 60079-1, IEC 60079-7

12V...415V AC/DC (-10%...+6%)

Max.15mA

0Hz...60Hz

Max.1W

10⁵ hours

-20°C~+70°C(ATEX), -20°C~+80°C(IECEX)

Red, green, yellow, blue, white

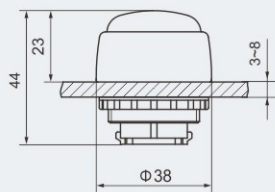
LED

Polyamide (PA66)

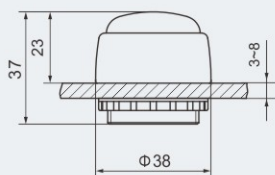
Suitable for 2.5mm² cable

PC

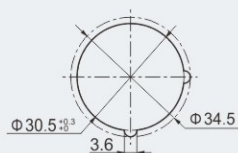
Dimension drawings (all dimensions in mm) - subject to alteration



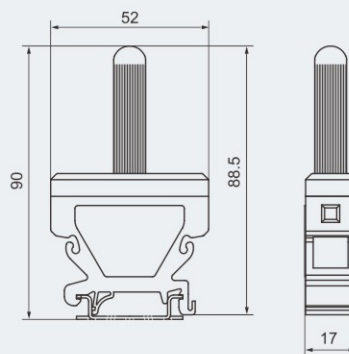
A: Cover mounting



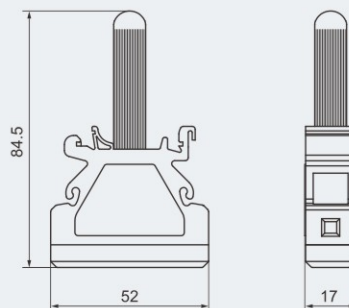
B: Rail mounting
Indicator cover



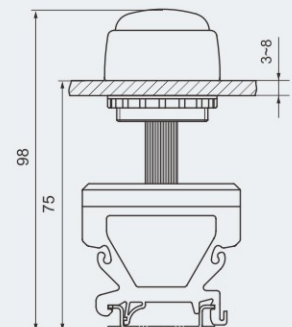
Mounting hole



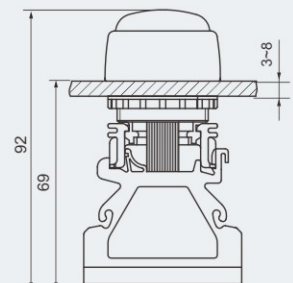
Indicator
(rail mounting)



Indicator
(cover mounting)



Rail mounting



Cover mounting