

# 4

## Control Stations BZC8050 Series Control Stations (GRP)



- ◆ Explosion protection to
  - CENELEC
  - IEC
  - NEC
- ◆ Can be used in
  - Zone 1 and Zone 2
  - Zone 21 and Zone 22
  - Class I, Zone 1 and Zone 2
  - Class I, Division 2, Groups A, B, C, D
- ◆ GRP (glass fibre-reinforced polyester resin) enclosure.
- ◆ Four types of enclosure.

### ■ Catalogue number logic

BZC 8050 - A □ B □ D □ K □ □

- Mounting G: surface type
- Number of control switch
- Control switch (optional)
- Number of indicator
- Indicator (optional)
- Number of ammeter/voltmeter
- Ammeter/Voltmeter (optional)
- Number of control button
- Control button (optional)
- Design No.
- Control stations



### ■ Note

1. Please refer to the Selection table on P4/29.
2. Please select internal components as below:
  - Selection table of BA8050 control button on P4/40~43 (nominal contact is 1NO+1NC);
  - Selection table of BD8050 indicator on P4/44~46;
  - Selection table of BK8050 control switch on P4/47~52;
  - Selection table of BB8050 explosion-proof ammeter/voltmeter on P4/53~55;
3. Example: BZC8050-A2D2G
  - Components: Two control buttons, two indicators; surface type
  - Tech. Details: One start control button (40092B + 40090-1+40091-1, green, 1NO+1NC);
  - One stop control button (40092A+ 40090-1+40091-1, red, 1NO+1NC);
  - One indicator (40116+40100-2, green, 230V AC);
  - One indicator (40115+40099-2, red, 230V AC);
4. Special requirements on request.

## Zones 1&2; 21&22

## Control Stations BZC8050 Series Control Stations (GRP)

Selection table of control station BZC8050(GRP)(Without terminal)				
Enclosure type	Components arrangement	Cable entries and direction	Ordering code	Enclosure weight (kg)
I		2-M25 x 1.5 Bottom entry	40074.....	1.30
II		1-M32 x 1.5 or 2-M25 x 1.5 Bottom entry	40075.....	2.10
III		1-M32 x 1.5 or 3-M25 x 1.5 Bottom entry	40076.....	3.25
IIIx		1-M40 x 1.5 or 2-M32 x 1.5 or 4-M25 x 1.5 Bottom entry	40077.....	3.25
IV		1-M40 x 1.5 or 2-M32 x 1.5 or 6-M25 x 1.5 Bottom entry	40078.....	4.15



## Control Stations

### BZC8050 Series Control Stations (GRP)

#### Technical data

#### Control stations BZC8050 (GRP)

##### Explosion protection

Global (IECEX)	IECEX CQM 11.0029
Gas	Ex d e IIC T6 Gb
Europe (ATEX)	LCIE 09 ATEX 3099
Gas and dust	$\text{Ex}$ II 2 G Ex d e IIC T6 Gb $\text{Ex}$ II 2 D Ex tb IIIC T80°C Db IP65

##### Certificates

##### Conformity to standards

##### Enclosure material

##### Enclosure colour

##### Exposed fastener

##### Rated voltage

##### Rated current

##### Degree of protection

##### Ambient temperature

##### Components

##### Cable entries

##### Cable gland (optional)

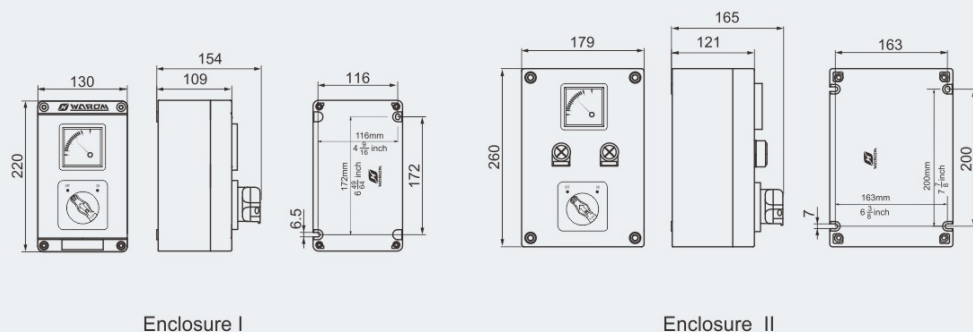
##### Mounting

##### Note

EN 60079-0, EN 60079-1, EN 60079-7, EN 60079-31
IEC 60079-0, IEC 60079-1, IEC 60079-7
GRP (glass fibre-reinforced polyester resin)
Black
Stainless steel
Max. 415V AC
Main circuit current: 6A (for BZC8050-A2D2, BZC8050-A2B1) 16A (for BZC8050-K1) 10A (for others)
IP65/IP66 (optional)
-20°C~+55°C
<ol style="list-style-type: none"> <li>1. Technical data of BA8050 control button on P4/40~43</li> <li>2. Technical data of BD8050 indicator on P4/44~46</li> <li>3. Technical data of BK8050 control switch on P4/47~52</li> <li>4. Technical data of BB8050 explosion-proof ammeter/voltmeter on P4/53~55</li> </ol>
M□ x 1.5 plug, please see the Selection table on P4/29
DQM-I (Ex e) is recommended. Please see P7/16
Surface type
Please specify the number and size of entries (applicable for surface type only)



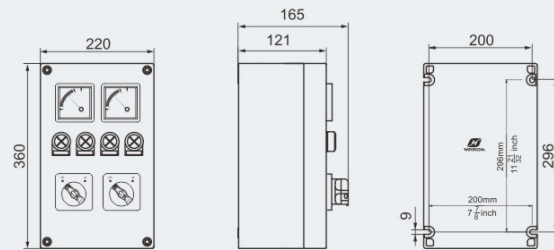
#### Dimension drawings (all dimensions in mm) - subject to alteration



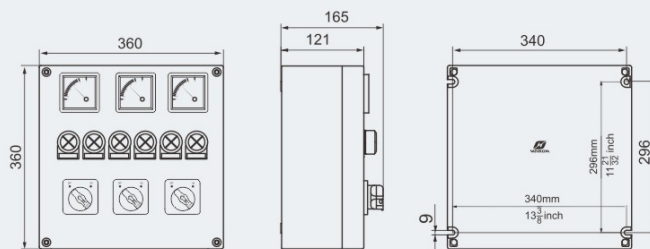
## Control Stations

### BZC8050 Series Control Stations (GRP)

Dimension drawings (all dimensions in mm) - subject to alteration



Enclosure III



Enclosure IV

