

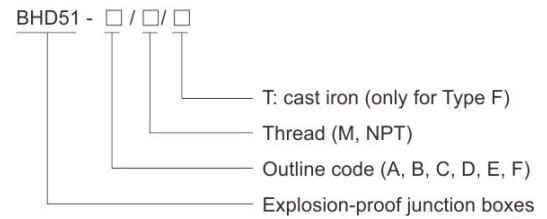
3

Junction Boxes BHD51 Series Explosion-proof Junction Boxes

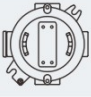
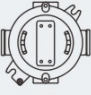


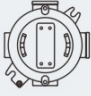
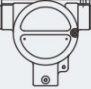


- ◆ Explosion protection to
 - CENELEC
 - IEC
 - NEC
- ◆ Can be used in
 - Zone 1 and Zone 2
 - Zone 21 and Zone 22
 - Class I, Zone 1 and Zone 2
 - Class I, Division 1, Groups A, B, C, D
- ◆ Six types: A, B, C, D, E, F.
- ◆ Type A, B, C, D, E in Copper-free Aluminium Alloy only;
Type F in Copper-free Aluminium Alloy or cast iron.

■ Catalogue number logic





Selection table

Type/Ordering code	Schematic diagram	Weight (kg)	
BHD51-A/M20 x 1.5	Type A 	0.70	
BHD51-A/M25 x 1.5			
BHD51-B/M20 x 1.5	Type B 	0.70	
BHD51-B/M25 x 1.5			
BHD51-C/M20 x 1.5	Type C 	0.70	
BHD51-C/M25 x 1.5			
BHD51-D/M20 x 1.5	Type D 	0.70	
BHD51-D/M25 x 1.5			
BHD51-E/M20 x 1.5	Type E 	0.70	
BHD51-E/M25 x 1.5			
BHD51-F/M25 x 1.5	Type F 	Copper-free Aluminium Alloy	0.80
		Cast iron	2.10

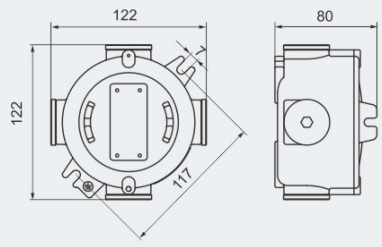
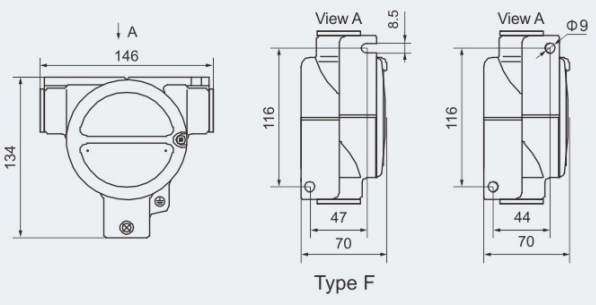
Zones 1&2; 21&22

Junction Boxes BHD51 Series Explosion-proof Junction Boxes

Technical data	
Explosion-proof junction boxes BHD51-□/□/□	
Explosion protection	IECEX CQM 11.0022X
Global (IECEX)	Ex d IIC T6 Gb
Gas and dust	Ex t IIIC T80°C Db IP66
Europe (ATEX)	LCIE 11 ATEX 3005
Gas and dust	⊕ II 2 G Ex d IIC T6 Gb
	⊕ II 2 D Ex t IIIC T80°C Db IP66
Certificates	IECEX; ATEX; CU-TR
Conformity to standards	EN 60079-0, EN 60079-1, EN 60079-31 IEC 60079-0, IEC 60079-1, IEC 60079-31
Enclosure material	Copper-free Aluminium Alloy or cast iron, powder coated surface
Enclosure colour	Yellow (RAL1021)
Exposed fastener	Stainless steel
Rated current	20A
Rated voltage	Max. 500V AC
Terminal data	
Number	6 terminals (Type A-E), 4 terminals (Type F)
Cross section of cable	0.2~2.5mm ²
Degree of protection	IP66, IP67 (optional)
Ambient temperature	-60°C~+55°C
Internal&external earthing	M4/M4
Cable entries	Standard M□ x 1.5 plug NPT□ plug on request
Cable gland(optional)	DQM-II (Ex d) or DQM-III (Ex d) is recommended. Please see P7/20~31.
Main application	Type A-E are used for wiring or branching; Type F is used as accessory for pendant pole type or ceiling type light fittings.

Terminals					
Description	Illustration	Number	Ordering code	Weight (kg)	Note
Terminal		6	30008	0.10	For Type A, B, C, D, E
Terminal block		4	30009	0.05	For Type F



Dimension drawings (all dimensions in mm) - subject to alteration	
 <p>Type A, B, C, D, E</p>	<p>Copper-free Aluminium Alloy Cast iron</p>  <p>Type F</p>
Application instruction: <ol style="list-style-type: none"> Type F (Copper-free Aluminium Alloy) is used as mounting accessory for light fittings HRD61-150, BDD81, HRD95 etc. Type F (cast iron) is used as mounting accessory for light fittings HRD61-250, HRD61-400, etc. 	