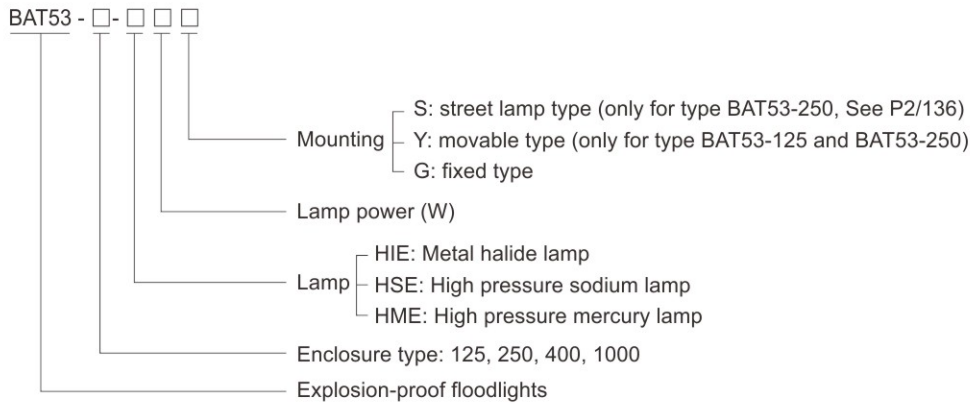


## Floodlights BAT53 Series Explosion-proof Floodlights



- ◆ Explosion protection to
  - CENELEC
  - IEC
  - NEC
- ◆ Can be used in
  - Zone 1 and Zone 2
  - Zone 21 and Zone 22
  - Class I, Zone 1 and Zone 2
  - Class I, Division 2, Groups C, D
  - Class I, Division 1, Groups C, D
- ◆ Four enclosure types: 125, 250, 400, 1000.
- ◆ Integral control gear, easy installation and maintenance.
- ◆ Rapid starting trigger, stable performance and long service life.
- ◆ Enclosure in Copper-free Aluminium Alloy, powder coated surface, yellow (RAL1021).
- ◆ Toughened glass cover resistant to temperature changes.

### Catalogue number logic



### Selection table

| Type/Ordering code | Available lamp power (W) |          |         | Lamp holder | Weight (kg) |
|--------------------|--------------------------|----------|---------|-------------|-------------|
|                    | HIE                      | HSE      | HME     |             |             |
| BAT53-125          | 70, 100, 150             | 70, 100  | 80, 125 | E27         | 8.45        |
| BAT53-250          | 250                      | 150, 250 | 250     | E40         | 14.75       |
| BAT53-400          | 400                      | 400      | -       | E40         | 30.75       |
| BAT53-1000         | 1000                     | 1000     | -       | E40         | 115.00      |

### Note

1. Please specify any spare parts when ordering. See Accessories table.
2. 125, 250 and 400 type light fittings are supplied without lamp. PHILIPS lamps are recommended.
3. HPI European standard ballast is supplied with HIE light fitting. HPI European standard lamps are recommended.
4. 1000 type light fittings are supplied with lamp and ballast.

# Zones 1&2; 21&22

## Floodlights BAT53 Series Explosion-proof Floodlights

| Technical data                        |  |
|---------------------------------------|--|
| <b>Explosion-proof floodlights</b>    | <b>BAT53-125-□□□</b>   |
| <b>Explosion protection</b>           | IECEX CQM 13.0037X<br>Ex d e IIB T□ <sup>1)</sup> Gb<br>Ex tb IIIC T□ <sup>1)</sup> Db IP66  |
| Global (IECEX)<br>Gas and dust        | EPT 18 ATEX 2930X  |
| Europe (ATEX)<br>Gas and dust         | ⊕ II 2 G Ex db e IIB T□ <sup>1)</sup> Gb<br>⊕ II 2 D Ex tb IIIC T□ <sup>1)</sup> Db IP66<br><sup>1)</sup> See Selection table  |
| <b>Certificates</b>                   | IECEX; ATEX; CU-TR   |
| <b>Conformity to standards</b>        | EN 60079-0, EN 60079-1, EN 60079-7, EN 60079-31<br>IEC 60079-0, IEC 60079-1, IEC 60079-7, IEC 60079-31   |
| <b>Material</b>                       |  |
| Enclosure                             | Copper-free Aluminium Alloy, powder coated surface, yellow (RAL1021)   |
| Glass cover                           | Toughened glass, stands 4J impact  |
| Ballast                               | Electromagnetic ballast, rapid starting, stable performance  |
| Wire guard                            | Powder coated carbon steel, white  |
| Internal reflector                    | High-purity aluminium  |
| Trigger                               | Explosion-proof electronic trigger   |
| Power factor                          | COS φ ≥ 0.90 (compensated)   |
| Exposed fastener                      | Stainless steel  |
| <b>Lamp</b>                           |  |
| Lamp holder                           | E27  |
| Available lamp and lamp power (W)     | High pressure sodium lamp (HSE): 70W, 100W<br>High pressure mercury lamp (HME): 80W, 125W<br>Metal halide lamp (HIE): 70W, 100W, 150W<br>Note: HPI European standard ballast is available in general |
| <b>Rated voltage</b>                  | 220~240V AC 50Hz (60Hz is optional)  |
| <b>Earthing protection</b>            | M5 (internal & external earth bolts)   |
| <b>Degree of protection</b>           | IP66   |
| <b>Ambient temperature</b>            | -60°C~+55°C  |
| <b>Terminal</b>                       | 3 x 1.5~2.5mm <sup>2</sup> (L+N+PE)  |
| <b>Cable entries</b>                  | 2 x Φ21: 1 x M20 x 1.5 cable gland (DQM-I Ex e), 1 x M20 x 1.5 plug  |
| <b>Available cable outer diameter</b> | Φ5~Φ10 (mm)  |



| Selection table |                |                     |        | Dimension drawings (all dimensions in mm) - subject to alteration |  |
|-----------------|----------------|---------------------|--------|---|--|
| Lamp            | Lamp power (W) | Temperature classes |        |   |  |
|                 |                | Gas                 | Dust   |   |  |
| HIE             | 70             | T156°C              | T156°C |   |  |
| HSE             | 70             | T156°C              | T156°C |   |  |
| HSE             | 100            | T185°C              | T185°C |   |  |
| HIE             | 100            | T181°C              | T181°C |   |  |
| HIE             | 150            | T190°C              | T190°C |   |  |
| HME             | 80             | T163°C              | T163°C |   |  |
| HME             | 125            | T209°C              | T209°C |   |  |

## Floodlights

### BAT53 Series Explosion-proof Floodlights

#### Technical data

#### Explosion-proof floodlights

BAT53-250-□□□

#### Explosion protection

Global (IECEX)

IECEX CQM 07.0004

Gas and dust

Ex d e IIB T3 Gb

Europe (ATEX)

LCIE 05 ATEX 6143

Gas and dust

⊕ II 2 G Ex d e IIB T3

#### Certificates

IECEX; ATEX; CU-TR

#### Conformity to standards

EN 60079-0, EN 60079-1, EN 60079-7

IEC 60079-0, IEC 60079-1, IEC 60079-7

#### Material

Enclosure

Copper-free Aluminium Alloy, powder coated surface, yellow (RAL1021)

Glass cover

Toughened glass, stands 4J impact

Ballast

Electromagnetic ballast, rapid starting, stable performance

Wire guard

Powder coated carbon steel, white

Internal reflector

High-purity aluminium

Trigger

Explosion-proof electronic trigger

Power factor

COS  $\phi \geq 0.90$  (compensated)

Exposed fastener

Stainless steel

#### Lamp

Lamp holder

E40

Available lamp and lamp power (W)

High pressure sodium lamp (HSE): 150W, 250W

High pressure mercury lamp (HME): 250W

Metal halide lamp (HIE): 250W

Note: HPI European standard ballast is available in general

#### Rated voltage

220~240V AC 50Hz (60Hz is optional)

#### Earthing protection

M5 (internal & external earth bolts)

#### Degree of protection

IP66

#### Ambient temperature

-20°C~+55°C

#### Terminal

3 x 1.5~2.5mm<sup>2</sup> (L+N+PE)

#### Cable entries

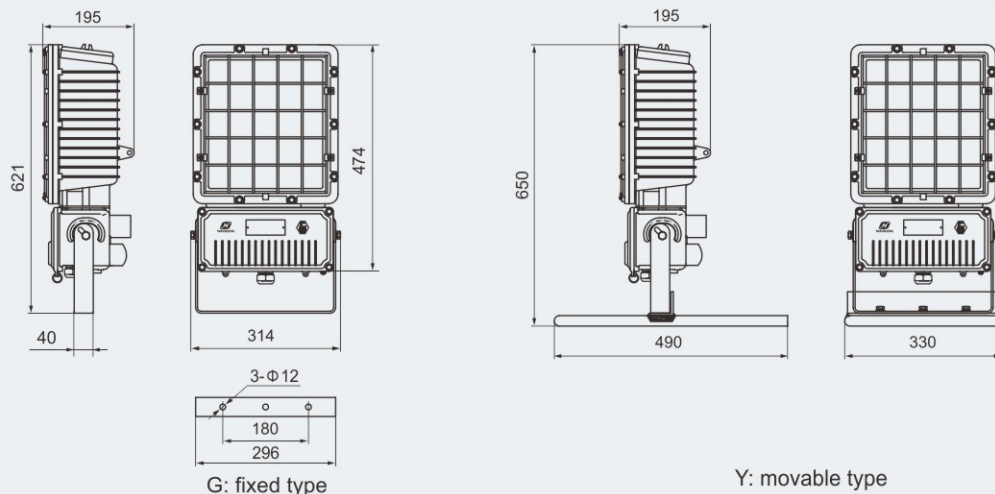
2 x  $\Phi 26$ : 1 x M25 x 1.5 cable gland (DQM-I Ex e), 1 x M25 x 1.5 plug

#### Available cable outer diameter

$\Phi 10 \sim \Phi 14$  (mm)



#### Dimension drawings (all dimensions in mm) - subject to alteration



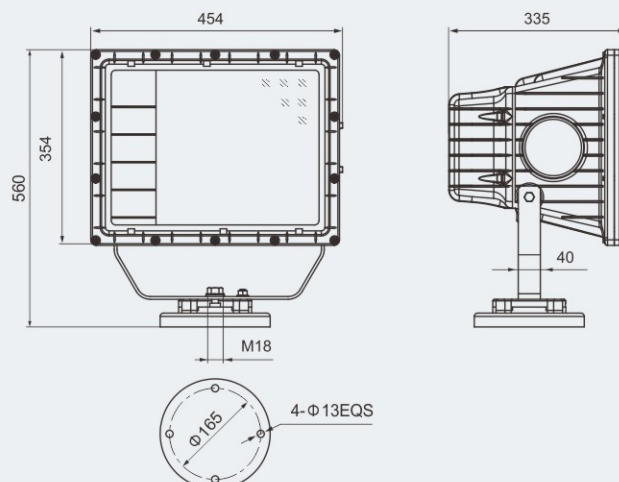
## Floodlights

### BAT53 Series Explosion-proof Floodlights

| Technical data                        |   |
|---------------------------------------|---|
| <b>Explosion-proof floodlights</b>    | <b>BAT53-400-□□□</b>  |
| <b>Explosion protection</b>           |   |
| Global (IECEX)                        | IECEX CQM 08.0014   |
| Gas and dust                          | Ex d e IIB T3   |
| Europe (ATEX)                         | LCIE 07 ATEX 6106   |
| Gas and dust                          | ⊕ II 2 G Ex d e IIB T3  |
| <b>Certificates</b>                   | IECEX; ATEX   |
| <b>Conformity to standards</b>        | EN 60079-0, EN 60079-1, EN 60079-7<br>IEC 60079-0, IEC 60079-1, IEC 60079-7   |
| <b>Material</b>                       |   |
| Enclosure                             | Copper-free Aluminium Alloy, powder coated surface, yellow (RAL1021)  |
| Glass cover                           | Toughened glass, stands 4J impact   |
| Ballast                               | Electromagnetic ballast, rapid starting, stable performance   |
| Internal reflector                    | High-purity aluminium   |
| Trigger                               | Explosion-proof electronic trigger  |
| Power factor                          | $\text{COS } \phi \geq 0.90$ (compensated)  |
| Exposed fastener                      | Stainless steel   |
| Wire guard (optional)                 | Powder coated carbon steel, white   |
| <b>Lamp</b>                           |   |
| Lamp holder                           | E40   |
| Available lamp and lamp power (W)     | High pressure sodium lamp (HSE): 400W (tubular)<br>Metal halide lamp (HIE): 400W (tubular)<br>Note: HPI European standard ballast is available in general |
| <b>Rated voltage</b>                  | 220~240V AC 50Hz (60Hz is optional)   |
| <b>Earthing protection</b>            | M5 (internal & external earth bolts)  |
| <b>Degree of protection</b>           | IP66  |
| <b>Ambient temperature</b>            | -20°C~+55°C   |
| <b>Terminal</b>                       | 3 x 1.5~4mm <sup>2</sup> (L+N+PE)   |
| <b>Cable entries</b>                  | 2 x M25 x 1.5: 1 x M25 x 1.5 cable gland (DQM-I Ex e), 1 x M25 x 1.5 plug   |
| <b>Available cable outer diameter</b> | Φ 10~Φ 14 (mm)  |



### Dimension drawings (all dimensions in mm) - subject to alteration



## Floodlights

### BAT53 Series Explosion-proof Floodlights

#### Technical data

#### Explosion-proof floodlights

BAT53-1000-□□□

#### Explosion protection

Global (IECEX)  
Gas and dust

IECEX CQM 14.0066X

Ex d IIB T3 Gb

Ex tb IIIC T193°C Db IP66

Europe (ATEX)

EPT 15 ATEX 1977X

Gas and dust

⊕ II 2 G Ex d IIB T3 Gb

⊕ II 2 D Ex tb IIIC T193°C Db IP66

#### Certificates

IECEX; ATEX; CU-TR

#### Conformity to standards

EN 60079-0, EN 60079-1, EN 60079-31

IEC 60079-0, IEC 60079-1, IEC 60079-31

#### Material

Enclosure  
Glass cover  
Ballast  
Trigger  
Power factor  
Internal reflector  
Exposed fastener

Welded carbon steel, powder coated surface, yellow (RAL1021)

Toughened glass, stands 4J impact

Electromagnetic ballast, rapid starting, stable performance

General trigger

COS  $\phi \geq 0.90$  (compensated)

High-purity aluminium

Stainless steel

#### Lamp

Lamp holder  
Available lamp and lamp power (W)

E40

High pressure sodium lamp (HSE):1000W

Metal halide lamp (HIE):1000W

Note: HPI European standard ballast is available in general

230V AC 50Hz (60Hz is optional)

M5 (internal & external earth bolts)

#### Rated voltage

#### Earthing protection

#### Degree of protection

IP66

#### Ambient temperature

-20°C~+55°C

#### Terminal

3 x 1.5~4mm<sup>2</sup> (L+N+PE)

#### Cable entries

1 x M25 x 1.5

#### Cable gland

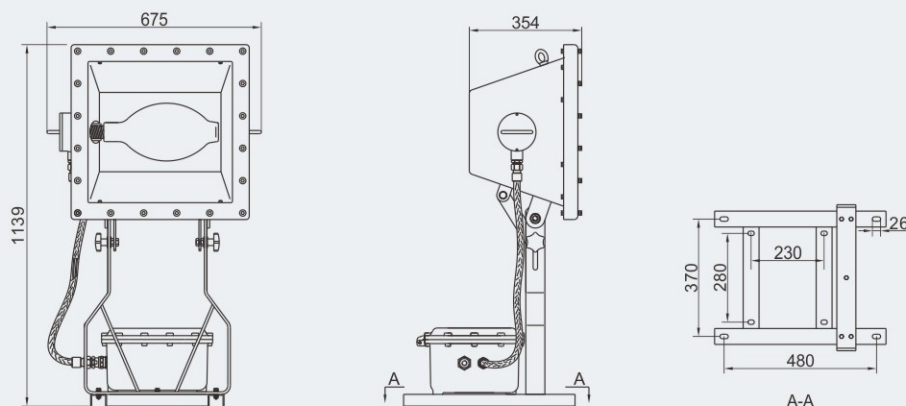
The cable between floodlight and ballast through BNG-M25 x 1.5(M)/M25 x 1.5(M) explosion-proof flexible conduit (length: 1000 mm); One explosion-proof cable gland (DQM-II-M25 x 1.5, Ex d, brass, armored, cable wiring)

#### Available cable outer diameter

Φ 10~Φ 14 (mm)



#### Dimension drawings (all dimensions in mm) - subject to alteration



## Floodlights

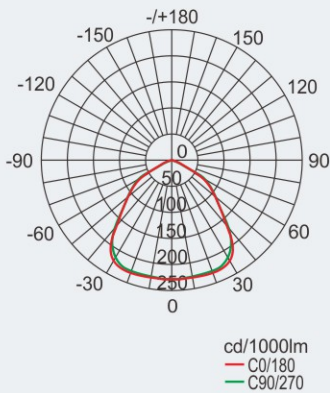
### BAT53 Series Explosion-proof Floodlights

#### Photometric data

##### BAT53-125-□□□

Rated luminous flux

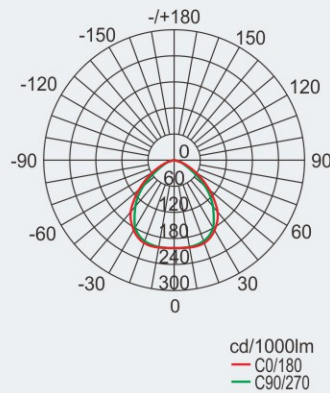
70W Metal halide lamp: 5800 lm  
 100W Metal halide lamp: 8700 lm  
 150W Metal halide lamp: 13500 lm  
 70W High pressure sodium lamp: 6600 lm  
 100W High pressure sodium lamp: 10700 lm  
 80W High pressure mercury lamp: 3800 lm  
 125W High pressure mercury lamp: 6300 lm  
 The data from Philips lamp



##### BAT53-250-□□□

Rated luminous flux

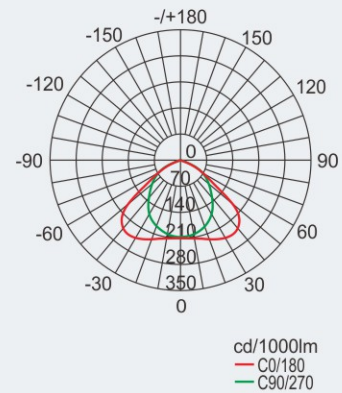
250W Metal halide lamp: 23200 lm  
 150W High pressure sodium lamp: 18000 lm  
 250W High pressure sodium lamp: 33200 lm  
 250W High pressure mercury lamp: 13000 lm  
 The data from Philips lamp



##### BAT53-400-□□□


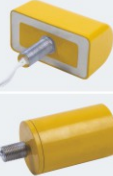

Rated luminous flux

400W Metal halide lamp: 42500 lm  
 400W High pressure sodium lamp: 56500 lm  
 The data from Philips lamp



We can provide lighting design and data by professional lighting software DIALUX based upon simulated site situation on request.

#### Accessories

| Picture   | Name  | Ordering code | Weight (kg) |
|---|---|---------------|-------------|
|  | Explosion-proof electronic trigger (125, 250, 400 type) | 61034         | 0.30        |
|  | 125 Explosion-proof capacitor                           | 53012         | 0.45        |
|   | 250 Explosion-proof capacitor                           | 53013         | 0.45        |
|   | 400 Explosion-proof capacitor                           | 53014         | 0.55        |
|  | 125 Movable support                                     | 53015         | 1.80        |
|   | 250 Movable support                                     | 53016         | 2.35        |

**Note:** Ballast see P1/21

